



Producer: **Frascold**

Line: **W**

Model: **W60-206Y**

Cooling capacity [kW]: **97.06**

Displacement [m³/h]: **205.8**

Refrigerant: **R22, R134a, R404A, R407A, R407F, R448A, R449A, R450A, R452A, R507, R513A**

Capacity control: **None, Step (option), Inverter (option)**

Power supply: **400V/3Ph/50Hz**

Data

Technical data

Displacement	[m ³ /h]	205.8
Cylinders quantity		8
Oil charge	[l]	7.70
Oil type		POE68
Type of lubrication		Oil pump
Net weight	[kg]	320.00

Electrical data

Power supply		400V/3Ph/50Hz
Maximum operating current	[A]	98.8
Locked rotor amperage	[A]	326.0
Locked rotor amperage, DOL	[A]	455.0
Maximum motor frequency	[Hz]	70
Minimum motor frequency	[Hz]	30
Nominal motor power for 50 Hz	[kW]	44.74
Nominal motor power for 50 Hz	[HP]	60.00
Motor connection		PWS

Dimensions

Suction valve diameter (SV)	[inch]	3 1/8
Suction valve diameter (SV)	[mm]	80.0
Discharge valve diameter (DV)	[inch]	2 1/8
Discharge valve diameter (DV)	[mm]	54.0
Length	[mm]	838
Height	[mm]	588
Width	[mm]	511

Other

Approved refrigerants	R22, R134a, R404A, R407A, R407F, R448A, R449A, R450A, R452A, R507, R513A
Capacity control	None, Step (option), Inverter (option)

Performance

Nominal conditions: refrigerant: R404A, evaporation: -10°C (dew point), condensation: 45°C (dew point), superheating: 10K, subcooling: 0°C

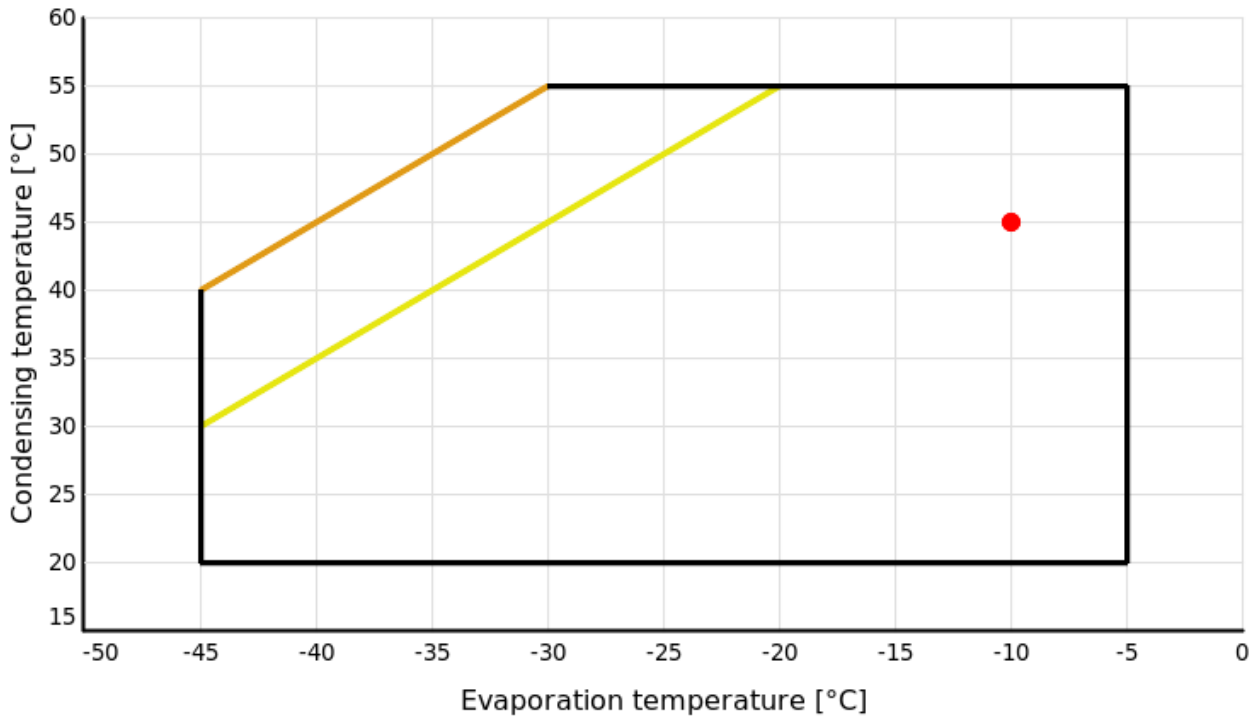
Cooling capacity

		Evaporation temperature [°C]								
		-45	-40	-35	-30	-25	-20	-15	-10	-5
Condensation temperature [°C]	55				23.85	32.95	44.22	58.00	74.69	94.68
	50			20.03	28.47	38.94	51.75	67.26	85.85	107.89
	45		15.97	23.67	33.26	45.05	59.39	76.61	97.06	121.12
	40	11.99	18.85	27.48	38.19	51.30	67.14	86.03	108.33	134.37
	35	14.31	21.90	31.45	43.27	57.67	74.97	95.52	119.62	147.62
	30	16.81	25.11	35.56	48.46	64.13	82.89	105.05	130.95	160.86
	25	19.48	28.47	39.79	53.76	70.68	90.86	114.62	142.27	174.08
	20	22.30	31.95	44.13	59.14	77.28	98.87	124.21	153.58	187.26

Power consumption

		Evaporation temperature [°C]								
		-45	-40	-35	-30	-25	-20	-15	-10	-5
Condensation temperature [°C]	55				27.65	32.88	38.19	43.52	48.83	54.06
	50			22.76	27.61	32.54	37.48	42.41	47.25	51.96
	45		18.41	22.91	27.48	32.08	36.64	41.13	45.48	49.64
	40	14.54	18.72	22.97	27.24	31.48	35.64	39.66	43.49	47.09
	35	14.99	18.94	22.92	26.86	30.72	34.45	37.98	41.27	44.28
	30	15.34	19.05	22.73	26.32	29.78	33.04	36.06	38.79	41.17
	25	15.58	19.02	22.38	25.59	28.61	31.39	33.88	36.02	37.76
	20	15.68	18.83	21.83	24.64	27.21	29.48	31.40	32.93	34.00

Application range

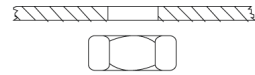
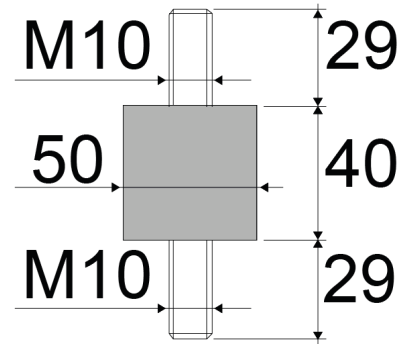
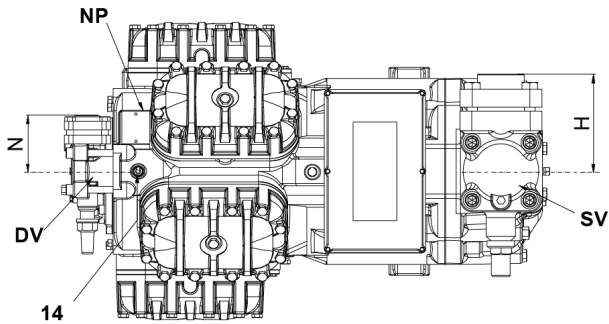
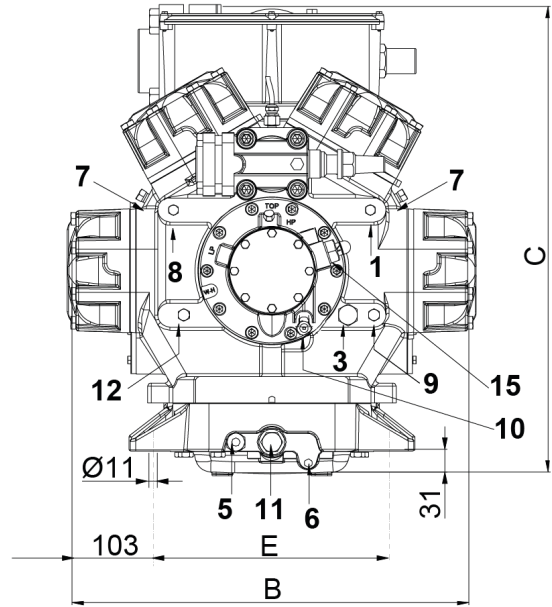
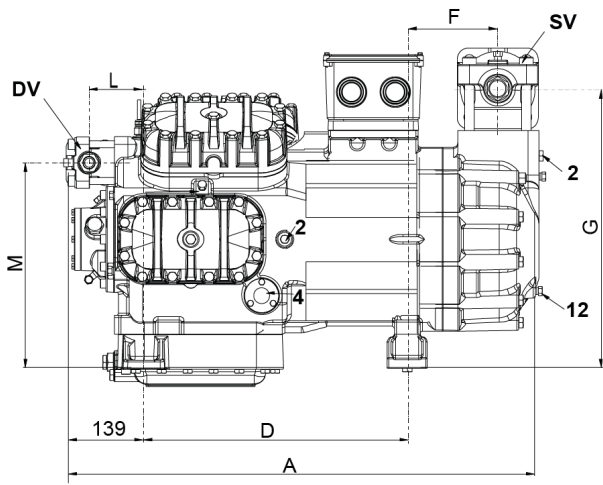


Legend

- With additional header cooling
- Without cooling
- Current operating conditions

Reference conditions - suction gas temperature: 20°C, subcooling: 0 K.

Dimensions



Symbols

1	High pressure connection	1/8" NPT
2	Low pressure connection	1/4" NPT
3	Oil charge plug	3/8" GAS
4	Oil level sight glass	-
5	Crankcase heater seat	-
6	Oil drain plug	1/4" GAS
7	Liquid injection plug	1/4" NPT
8	Liquid injection sensor plug	1/8" NPT
9	Oil pressure switch connection (LP)	1/4" NPT
10	Oil pressure switch connection (HP)	1/4" SAE
11	Oil filter	3/8" GAS
12	Oil return plug	1/4" NPT
14	Max. discharge temperature sensor connection	1/8" NPT
15	Electronic oil pressure switch connection	-

DV	Discharge valve
SV	Suction valve
NP	Nameplate

Compressor dimensions

Dimension A	[mm]	838
Dimension B	[mm]	511
Dimension C	[mm]	588
Dimension D	[mm]	458
Dimension E	[mm]	305

Valves position

Dimension F	[mm]	158
Dimension G	[mm]	486
Dimension H	[mm]	160
Dimension L	[mm]	95
Dimension M	[mm]	358
Dimension N	[mm]	95